

# Rittal – The System.

Faster – better – everywhere.

Gleitschiene, tiefenvariabel  
Slide rail, depth-variable  
Glissière, réglable en profondeur



DK 5501.460  
DK 5302.035

Montage- und Bedienungsanleitung  
Assembly and operating instructions  
Notice d'emploi et de montage

ENCLOSURES

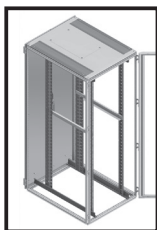
POWER DISTRIBUTION




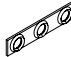


CLIMATE CONTROL

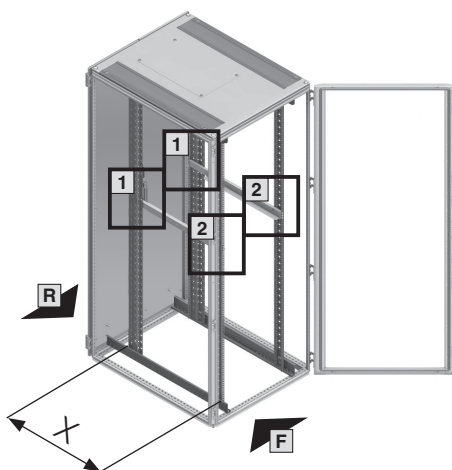
IT INFRASTRUCTURE

SOFTWARE & SERVICES



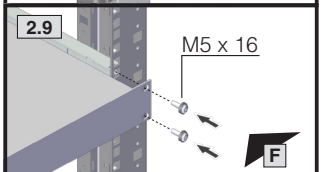
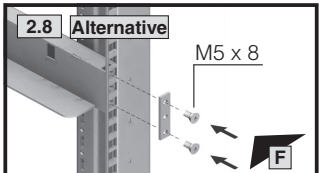
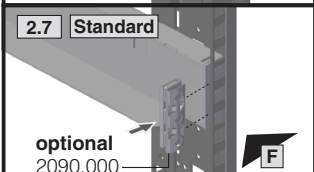
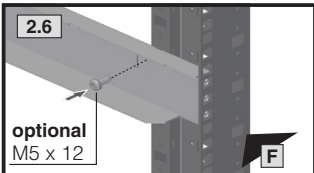
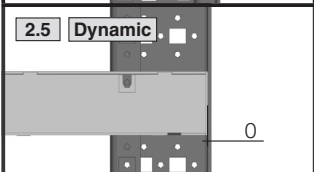
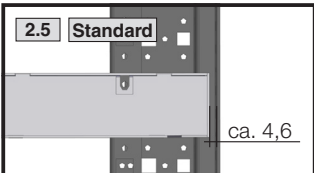
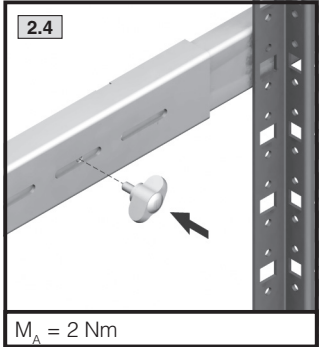
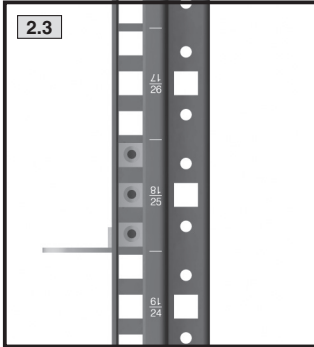
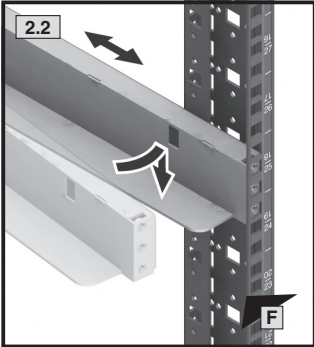
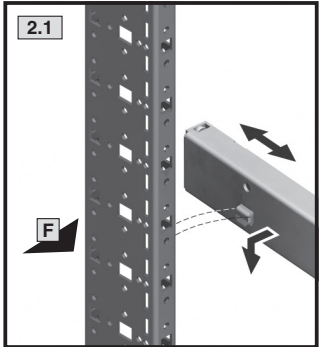
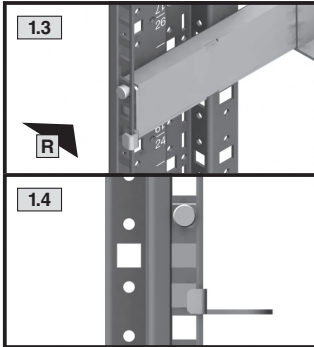
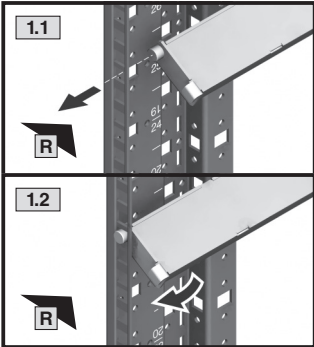


	X mm	 F [N]	
Best.-Nr. DK Model No. DK Référence DK	400 - 600	↓ 800	<b>5501.460</b>
	600 - 825	↓ 800	<b>5302.035</b>
			1 x
	5 x 12		2 x
			2 x
	M5 x 8		4 x
			2 x





TX25/30



# Rittal – The System.

Faster – better – everywhere.

- Enclosures
- Power Distribution
- Climate Control
- IT Infrastructure
- Software & Services

You can find the contact details of all Rittal companies throughout the world here.



[www.rittal.com/contact](http://www.rittal.com/contact)

RITTAL GmbH & Co. KG  
Postfach 1662 · D-35726 Herborn  
Phone +49(0)2772 505-0 · Fax +49(0)2772 505-2319  
E-mail: [info@rittal.de](mailto:info@rittal.de) · [www.rittal.com](http://www.rittal.com)

03.2022/D-0000-00001867Rev01



ENCLOSURES

POWER DISTRIBUTION

CLIMATE CONTROL

IT INFRASTRUCTURE

SOFTWARE & SERVICES